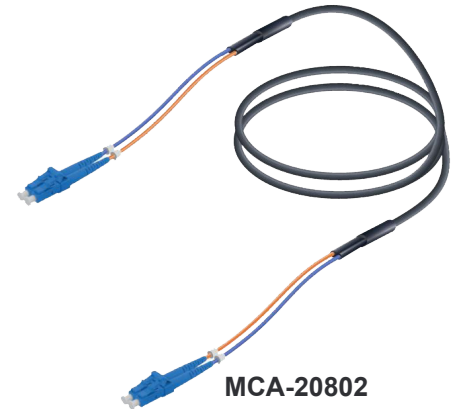
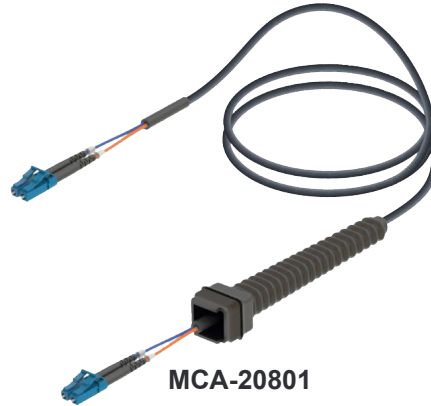
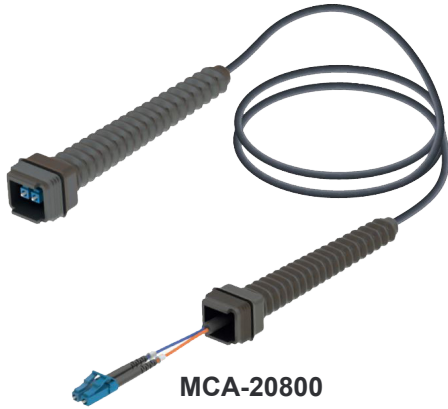


Description

The Netceed MCA-2080X series, G657.A2 singlemode cable assemblies are constructed with a 4.8mm PE cable (tight buffer tube) with duplex adapters. This patch cord assembly is suited for indoor and outdoor environments to connect Radio Head Unit (RRU), active 5G antenna, including FTTx and outside plant applications.

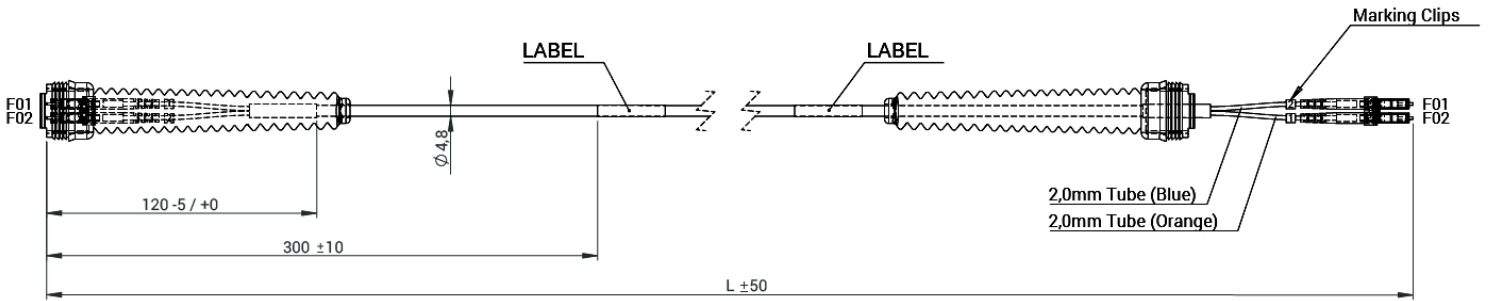


Parameter	Specifications		
Model	MCA-20800	MCA-20801	MCA-20802
Connector			
Assembly	Flex Boot LC/UPC duplex to Flex Boot LC/UPC duplex	Flex Boot LC/UPC duplex to LC/UPC duplex	LC/UPC duplex to LC/UPC duplex
LC Connector Compliance	IEC 61754-20, TIA 604-10-A, RoHS		
Alignment Technology	Full ceramic ferrule (Zirconia ZrO ₂)		
Operating Temperature	-40° to +85°C (-40° to 185°F)		
Flammability	UL94 V-0		
Durability	< 0.1 dB typical change for >1000 matings		
Optical Performance			
Insertion Loss - Singlemode IEC 61300-3-4 Method B	≤ 0.30dB Maximum, 0.15dB Typical		
Return Loss - Singlemode IEC61300-3-6 Method B	≥ 50dB		
End-face Control Parameters			
Geometry Inspection	IEC 61755-3-1		
Visual Inspection	IEC 61300-3-35		
Cable Construction			
Cable Type	2 core distribution fiber optic cable		
Diameter	4.8 ±0.1mm		
Max. Tensile Strength	800/500 N		
Min. Bending Radius	100 / 70mm (4" / 2.75")		
Strength Member	Swellable Glass Yarn		
Outer Jacket	LSZH - FR, UV Resistant		
Color	Black		

Part Number: MCA-2080X-X

FIBER DOME SPLICE CLOSURE

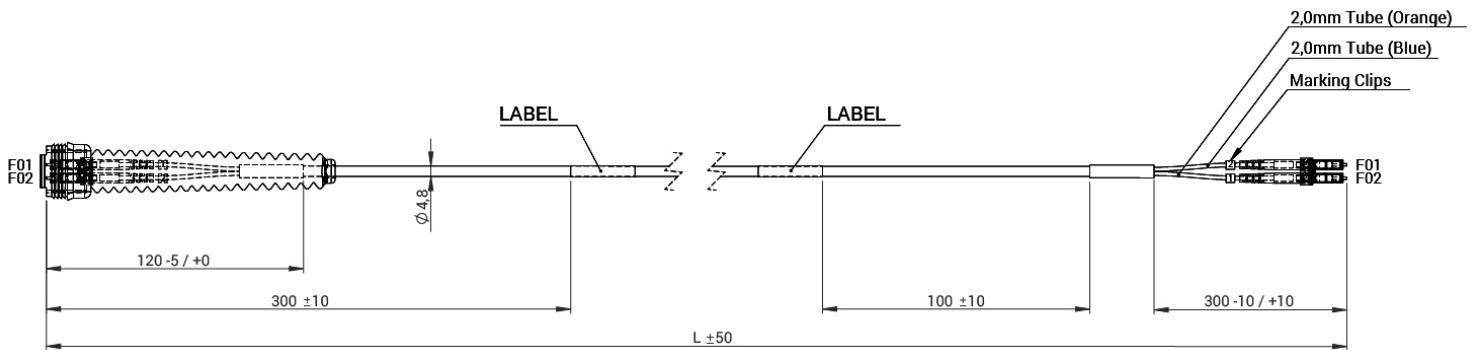
MCA-20800 Product Drawing



Part Number: MCA-20800-X

Meters - 2, 5, 10, 20, 30, Custom

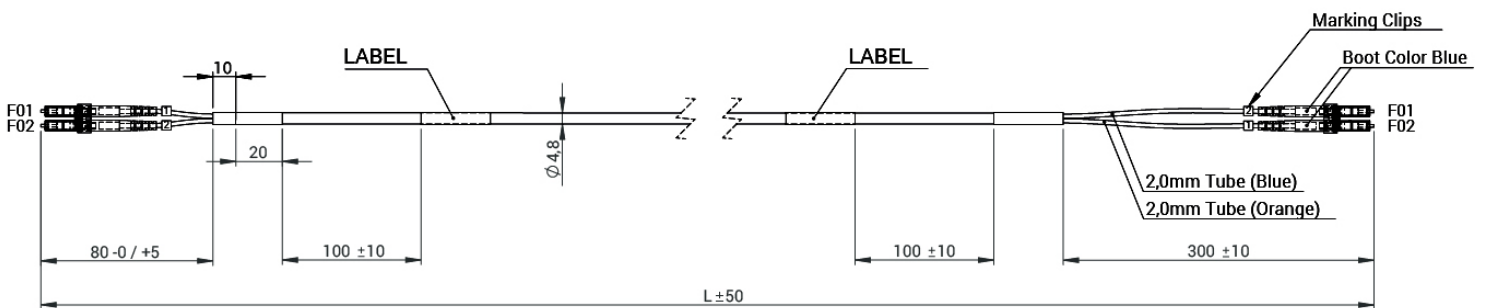
MCA-20801 Product Drawing



Part Number: MCA-20801-X

Meters - 2, 5, 10, 20, 30, Custom

MCA-20802 Product Drawing



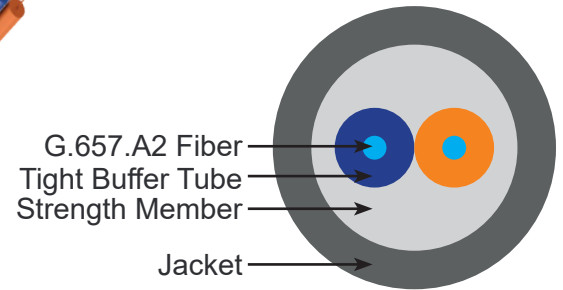
Part Number: MCA-20802-X

Meters - 2, 5, 10, 20, 30, Custom

Cable Specifications

Key Features

- Metal free indoor and outdoor cable
- Completely dry design
- Water swellable glass yarn strength member
- Rodent protected with glass armour
- For direct connector assembly
- For vertical applications
- High flexibility and light weight
- Halogen free and non-corrosive fire gases
- Low fire load for high safety requirements
- LSZH - FR, UV Resistant Outer Jacket



Parameter	Specifications
Cable Construction	
Cable Type	2 core distribution fiber optic cable
Fiber	Singlemode 9/125 A2 (ITU G.657.A2)
Tight Buffer Tube	900µ LSZH
Strength Member	Swellable Glass Yarn
Outer Jacket	LSZH - FR, UV Resistant
Color	Black

Parameter	Specifications		
Test	Conditions	Value	Methods
Tight diameter	-	0.9	IEC 60811-203
Cable diameter	-	4.8 ±0.1mm	
Approx. cable weight	-	27Kg/Km (60Lb/0.62Mi)	
Max. Tensile Strength	During installation	800N	IEC 60794-1-2 E1
	In service	500N	
Min. Bending Radius	During installation	100mm (4")	IEC 60794-1-2 E11
	In service	70mm (2.75")	
Crush Resistance	Short term	4000N/dm	IEC 60794-1-2 E3
	Long term	1500N/dm	
Water Penetration	h=1m, 24 h, l=3m	Passed	IEC 60794-1-2 F5B
Temperature Range	During installation	-40 to +70°C (-40 to 158°F)	IEC 60794-1-22 F1
	In service / storage	-40 to +75°C (-40 to 167°F)	

