

Description

The Netceed series of compact, low-profile Demarcation Boxes provide an optical demarcation and interconnection point for G652.D fiber-to-the premises (FTTP) applications. Suitable for indoor or outdoor locations, the housing provides physical protection for the transition between provider and customer, and facilitates easy access system testing.

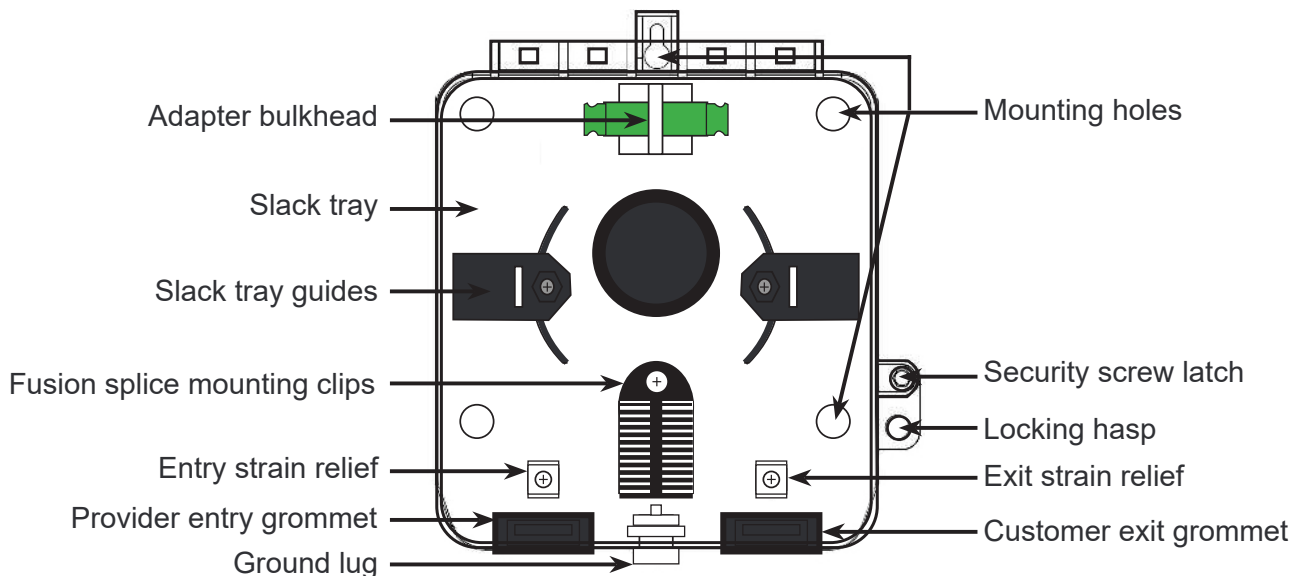
Fiber entering and exiting the housing can be secured using the internal strain relief supports. Slack cable is held securely using the backplate with integrated slack tray guides. The backplate also incorporates mounting clips for fusion or mechanical splices. The housing is molded from an engineering grade thermoplastic selected to withstand harsh outdoor environments. This housing can be installed on a wall or secured to vertical conduit. Unauthorized access is deterred by the security screw latch. For added security, a lock can be installed on the integrated locking hasp. Unauthorized access is deterred by the security screw latch. For added security, a lock can be installed on the integrated locking hasp.

Key Features

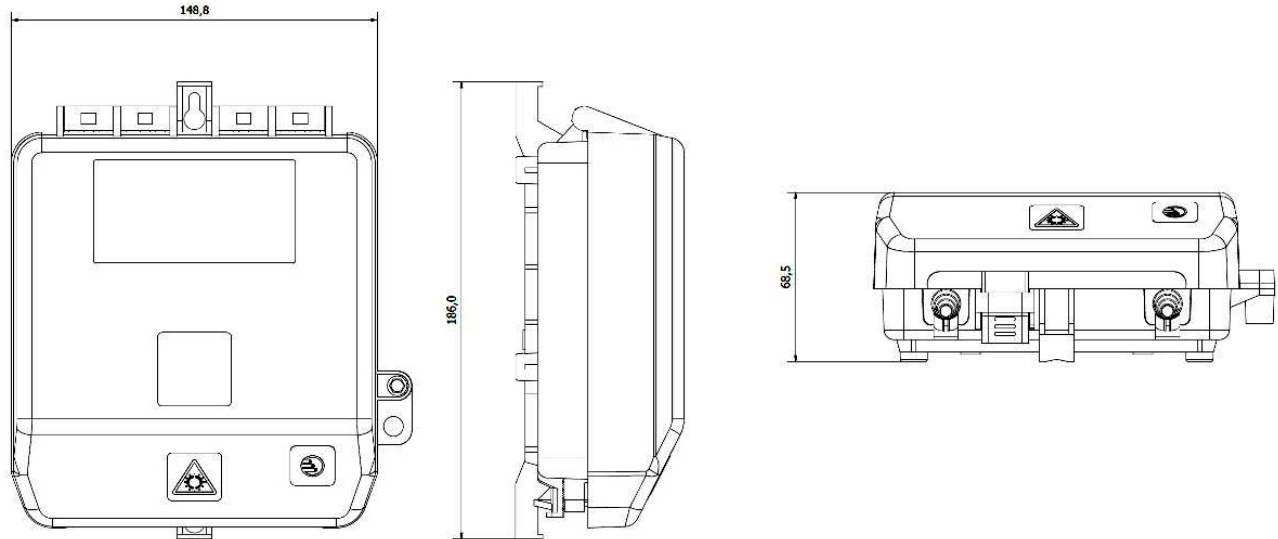
- Accommodates up to 12 fiber connections
- Provides slack storage for minor repairs and testing
- Can be mounted indoors or outdoors where space is limited
- Secure, weather-resistant housing protects fiber and connections from harsh outdoor environments
- Secured by latch and hasp provision for locking
- Ground lug allows connection for tracer wire
- Customizable cover available



Product Drawing / Illustration



DEMARCATIION BOX



Parameter	Specifications					
Model	L70000540	L70000593	L70000539	L70000594	L70000592	L70000595
Physical						
Adapter / G657A2 Pigtail	-	-	1 / 1	1 / 0	2 / 2	2 / 0
Ground lug	-	Yes	Yes	Yes	Yes	Yes
Maximum capacity	12 splices					
Fiber slack storage	Loose tube 9M (29.5')					
Material	Unit: Acrylonitrile Styrene Acrylate (ASA) thermoplastic Cable management: Acrylonitrile Butadiene Styrene (ABS) Grommets: Ethylene Propylene Diene Monomer (EPDM) Metal parts: Stainless steel					
Color	Gray RAL 7035					
Lockable	Yes					
Dimensions (H x W x D)	69mm x 186 x 149 x (2.7" x 7.3" x 5.9")					
Weight	.32Kg (0.7Lb)					
Included			Specification / Units			
NID12 base			1			
NID12 cover "no logo"			1			
Cable management			Ø30mm slack tray guides			
Splice holder			1 - 12 fiber max (45 x 60mm, 1.7" x 2.4")			
Cable protection entry/exit grommets			2.5 - 12mm (0.1" - 0.5")			
Stainless steel cable strain relief			2			
Packaging		Units	Dimensions		Weight	
Unit (H x W x D)		1	85 x 195 x 180 mm (3.3" x 7.7" x 7")		0.4Kg (
Carton (H x W x D)		14 units / carton	240 x 400 x 600mm (9" x 16" x 24")		7.0Kg (15.4Lb)	
Pallet (H x W x D)		648 units max / Europallet	2440 x 800 x 1200mm (96" x 32" x 48")		280Kg (617Lb)	
		810 units max / Isopallet	2440 x 1000 x 1200mm (96" x 40" x 48")		360Kg (785Lb)	
Compliance						
Ingress protection	EN / IEC 60529 - IP 55					
Environmental / Corrosion	KA 160H IEC 60068-2-11 - salt mist					
External mechanical impacts	IK08 (EN 50102, C 20-015)					